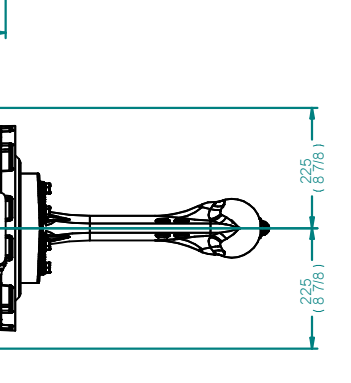
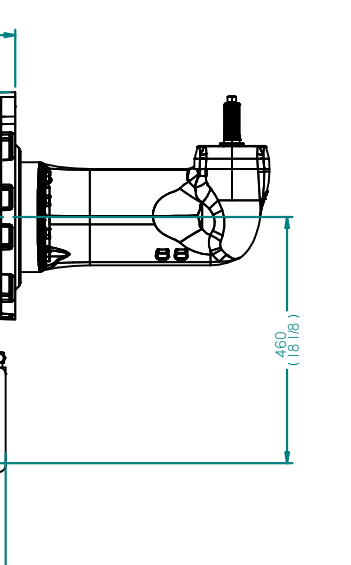
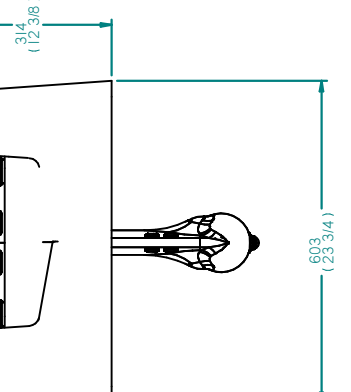
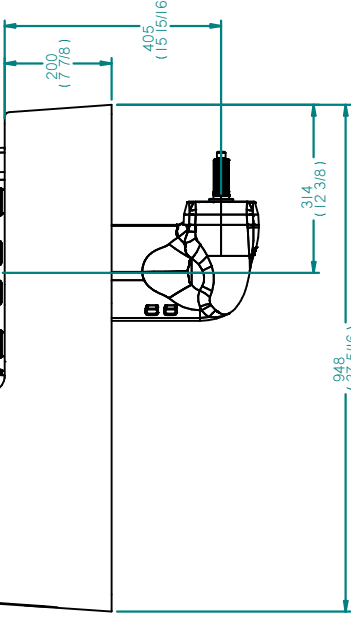
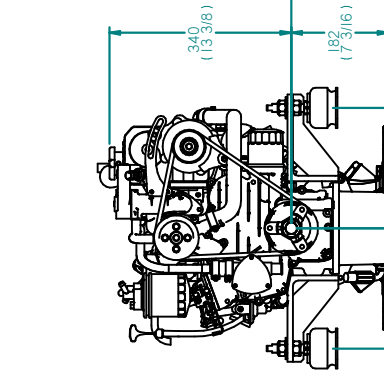
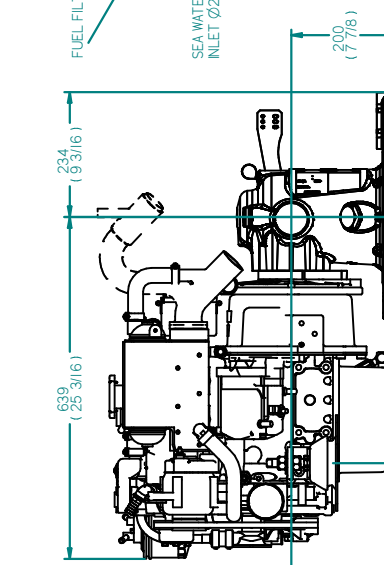
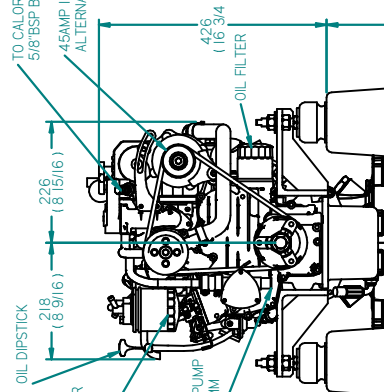
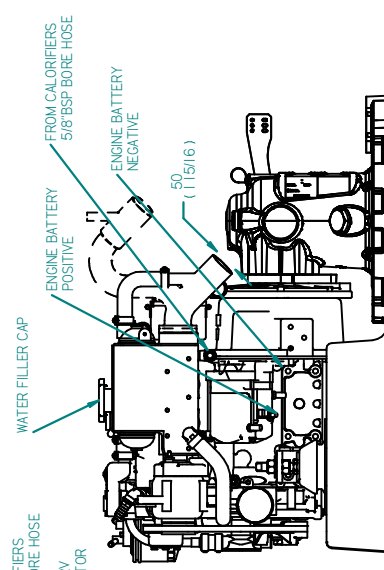
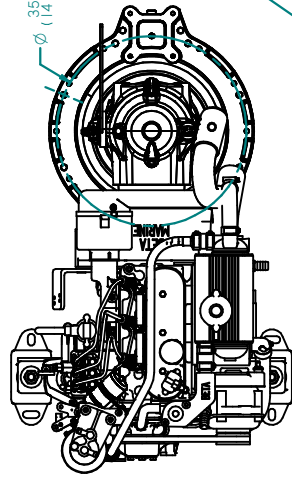
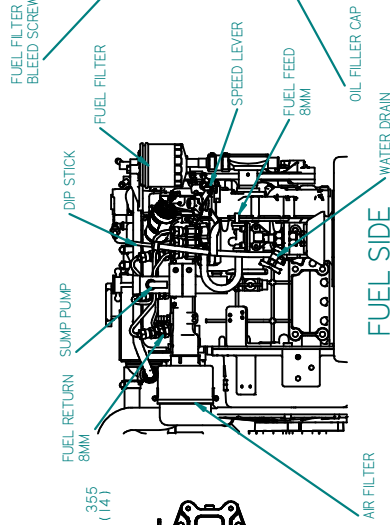
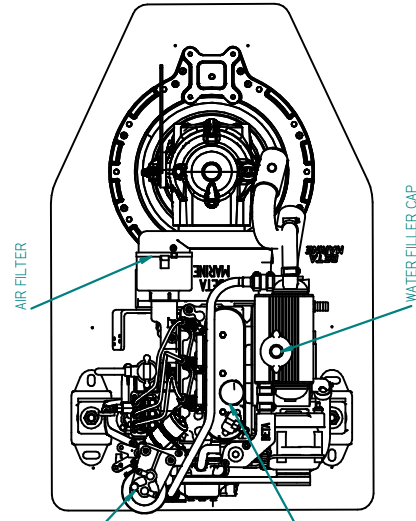
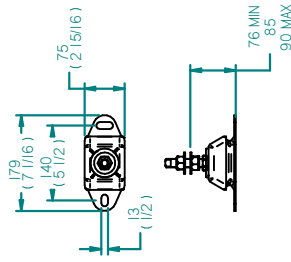


FLEXIBLE MOUNT



REV	DESCRIPTION	DATE	APPD	DRAWN
01				

NOTES

TITLE: **BETA20 HEAT EXCHANGE SEA PROP 60**

DIMENSIONS IN MM (INCH) DO NOT SCALE

PART FILE NAME: BETA20 HE SEAPROP 60 100-08836.asm

BETA MARINE LTD. WATERWELL, GLOUCESTER, GL2 2AD, UK

TELE: (01452) 723492 FAX: (01452) 728916

DRAWN BY: TV

CHECKED BY: LT

SCALE: 1 of 1

PAGE: 1 of 1

DATE: 02/12/2010

REV: 00

DWG NO: 100-08836